

GENERAL GUIDELINES FOR TAP INSTALLATION AND CARE INSTRUCTIONS

Before commencing to install the taps & shower please read all of the following instructions carefully failure to observe these guidelines could invalidate the warranty on the product.

It is important for optimum performance of the tap that the hot and cold water supplies are balanced.

Local water authority regulations require that isolating valves are fitted in the pipe work beneath the tap to allow the tap to be individually isolated. This makes servicing or replacement of the tap much easier.

Any warranty claim on the tap will be handled on the basis that isolating valves have been fitted

Bath panels MUST be installed so that they can be removed to allow servicing /replacement of the tap and must NOT be tiled in. The panel must be installed AFTER all tiling has been completed.

Basin wastes should be installed with a bead of silicone to ensure a watertight seal and the rubber washer fitted before the nut. Do NOT over tighten the nut this could damage the basin and invalidate the warranty.

Basin wastes may be supplied with rubber washer(s) and it is recommended that where washer(s) are supplied a small bead of silicone is also applied to both sides of the bath before the nut is fitted and tightened. Do NOT over tighten the nut as this could damage the bath and invalidate the warranty.

Where flexi tails are supplied it is essential that they are NOT over tightened.

Once the tap has been installed the water supply should be turned on and the whole installation thoroughly checked for leaks. It is **ESSENTIAL** that the system is thoroughly flushed to remove any debris or foreign matter which could become lodged under the valve seat and cause dripping or premature failure.

It is important that tile grout or any aggressive cleaners do not come into contact with the tap and cleaning should be with warm soapy water and the tap thoroughly dried after cleaning.

Do not exceed the recommended maximum BAR pressure

Wall Mounted Bath Shower Mixer Installation and Maintenance Instructions

FITTING YOUR NEW MIXER

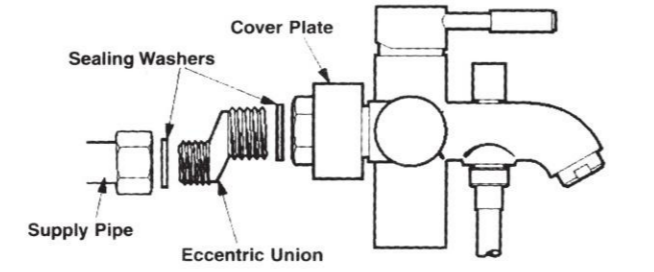
Fitting your new mixer is easy when you follow these simple step-by-step instructions.

- Identify all components.
- IMPORTANT!** Rinse out pipework prior to fitting.
- After having rinsed the pipework, install the valve as a standard exposed fitting, with the hose outlet facing downwards.
- When connecting the water supply to the valve, it is recommended that the hot supply is to the left and the cold supply to the right with the hose outlet from the bottom.
- Connect the eccentric threaded wall unions to the supply pipes.
- Ensure that the wall coverings are fitted to the mixer prior to the connection to the water supply.
- Set the eccentric unions so they correspond with the valves inlets.
- Fit the mixer to the unions, ensuring to fit the sealing washer, tighten with a spanner until watertight.
- Turn on the water supply and check for leaks.

This product should be fitted in accordance with Water ByLaw Regulations Check valves should be fitted where necessary.

AFTERCARE INSTRUCTIONS

Whilst modern plating techniques are used in the manufacture of this item, the surfaces will wear if cleaned incorrectly. Clean this product with a soft cloth and clean water. The use of any abrasive material will invalidate the guarantee.



Wall Mounted Basin Mixer Installation and Maintenance Instructions

FITTING YOUR NEW MIXER

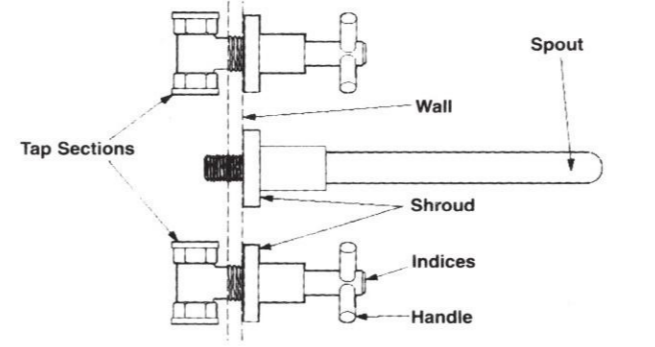
Fitting your new mixer is easy when you follow these simple step-by-step instructions.

- Identify all components.
- Ensure that the wall cavity or duct is large enough to make all necessary connections. Check that min/max depth of cavity is measured from behind the finished surface of the wall.
- Prior to installation flush out pipework to remove any debris.
- Connect the water supply and outlet pipework to the valve section and fully tighten fittings.
- Connect the outlet pipework from the tap sections to the spout and fully tighten fittings.
- Turn on water supply and test for leaks.
- If no leaks are found, finish wall plastering and tiling as required.

This product should be fitted in accordance with Water ByLaw Regulations Check valves should be fitted where necessary.

AFTERCARE INSTRUCTIONS

Whilst modern plating techniques are used in the manufacture of this item, the surfaces will wear if cleaned incorrectly. Clean this product with a soft cloth and clean water. The use of any abrasive material will invalidate the guarantee.



Pillar Mounted Bath Shower Mixer & Bath Filler Installation and Maintenance Instructions

REMOVING OLD TAPS OR MIXER

- A "Tap Spanner" may be required. This can be purchased in store.
- Ensure mains water supply is turned off at the stopcock or service valves.
- After disconnecting the water supply, drain the pipework.
- Unscrew the nuts connecting the water pipes to the fittings.
- Save and inspect fibre washer for future use.
- Unscrew backnuts and remove taps.

FITTING YOUR NEW MIXER

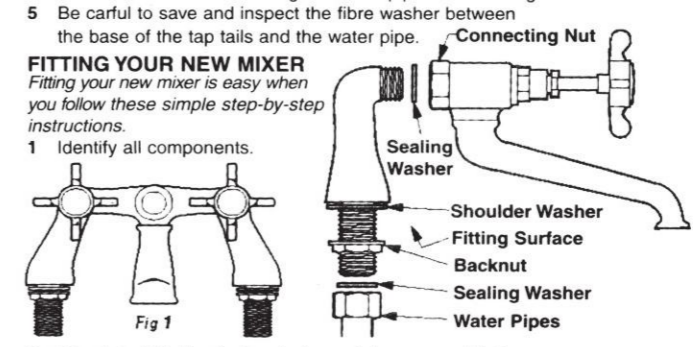
Fitting your new mixer is easy when you follow these simple step-by-step instructions.

- Identify all components.
- Prior to installation flush out pipework to remove debris.
- Place washers into connecting nuts at rear of body prior to assembly of pillars.
- Screw pillars to body ensuring that each pillar is angled outwards (See Fig 1) from the connecting nut to give correct centres to fit on bath. Fully tighten nuts.
- Place washers onto threaded section of pillars. Insert pillars through holes in bath.
- From underside fit and tighten backnut until mixer is secure. Do not overtighten, otherwise you risk damage to bath.
- Reconnect supply pipes checking that the sealing washers are in good condition (if not replace). Again do not overtighten. It is recommended that the hot water supply be connected to the left hand fitting when installed.
- Turn on water supply to refill system and check for leaks. If any leaks are noticed, check that the connections are adequately tightened. Once the connections are satisfactory, you can then connect your shower kit (if applicable).

This product should be fitted in accordance with Water ByLaw Regulations Check valves should be fitted where necessary.

AFTERCARE INSTRUCTIONS

Whilst modern plating techniques are used in the manufacture of this item, the surfaces will wear if cleaned incorrectly. Clean this product with a soft cloth and clean water. The use of any abrasive material will invalidate the guarantee.



Mono Sink Mixer Installation and Maintenance Instructions

REMOVING OLD TAPS OR MIXER

- A spanner may be required. This can be purchased in store.
- Ensure mains water supply is turned off at the stopcock or service valves.
- After disconnecting the water supply, drain the pipework.
- Unscrew the nuts connecting the water pipes to the fittings.
- Save and inspect fibre washer for future use.
- Unscrew backnuts and remove taps.

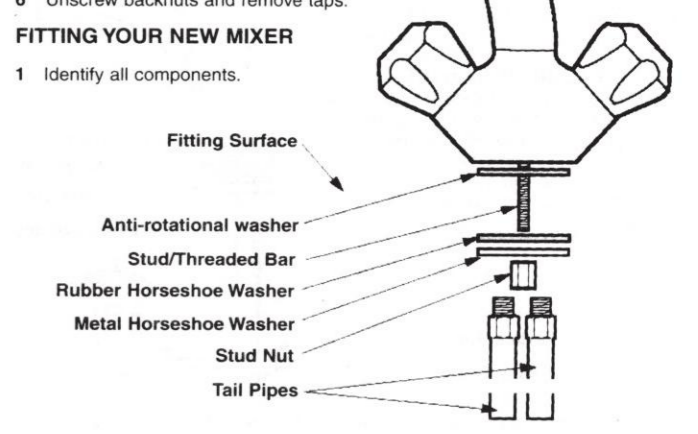
FITTING YOUR NEW MIXER

Fitting your new mixer is easy when you follow these simple step-by-step instructions.

- Identify all components.
 - Prior to installation flush out pipework to remove debris.
 - Screw threaded bar into base of body
 - Place anti-rotational washer into groove at base of tap body and place the threaded bar through the sink unit.
 - Slide rubber horseshoe washer and metal horseshoe washer over threaded bar and fix unit in place using stud nut. Do not overtighten as it could damage the basin.
 - Connect the copper pipes to the base of tap body and re-connect the hot and cold water supply taps.
- This product should be fitted in accordance with Water ByLaw Regulations Check valves should be fitted where necessary.

AFTERCARE INSTRUCTIONS

Whilst modern plating techniques are used in the manufacture of this item, the surfaces will wear if cleaned incorrectly. Clean this product with a soft cloth and clean water. The use of any abrasive material will invalidate the guarantee.



Mono Basin Mixer Installation and Maintenance Instructions

REMOVING OLD TAPS OR MIXER

- A spanner may be required. This can be purchased in store.
- Ensure mains water supply is turned off at the stopcock or service valves.
- After disconnecting the water supply, drain the pipework.
- Unscrew the nuts connecting the water pipes to the fittings.
- Save and inspect fibre washer for future use.
- Unscrew backnuts and remove taps.

FITTING YOUR NEW MIXER

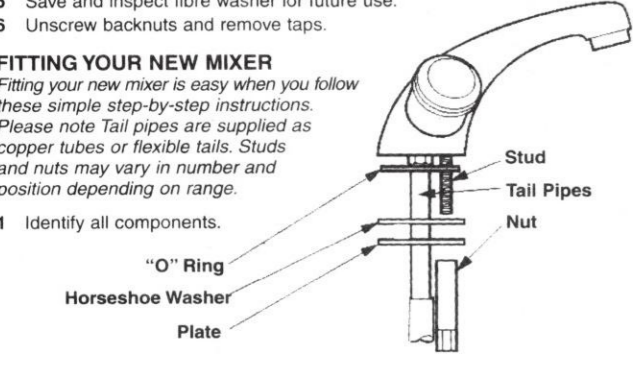
Fitting your new mixer is easy when you follow these simple step-by-step instructions. Please note Tail pipes are supplied as copper tubes or flexible tails. Studs and nuts may vary in number and position depending on range.

- Identify all components.
- Prior to installation flush out pipework to remove debris.
- Assemble unit with pop up rod (where applicable), fit rubber "O" ring to base of mixer and place the fittings through hole in the basin.
- Screw stud into base of mixer and slide horseshoe washer and plate over it. Secure with supplied nut. Do not overtighten as it could damage the bath.
- Connect the two tail pipes to the hot and cold water supplies.

This product should be fitted in accordance with Water ByLaw Regulations Check valves should be fitted where necessary.

AFTERCARE INSTRUCTIONS

Whilst modern plating techniques are used in the manufacture of this item, the surfaces will wear if cleaned incorrectly. Clean this product with a soft cloth and clean water. The use of any abrasive material will invalidate the guarantee.



Mono Basin/Bidet Mixer Installation and Maintenance Instructions

REMOVING OLD TAPS OR MIXER

- A spanner may be required. This can be purchased in store.
- Ensure mains water supply is turned off at the stopcock or service valves.
- After disconnecting the water supply, drain the pipework.
- Unscrew the nuts connecting the water pipes to the fittings.
- Save and inspect fibre washer for future use.
- Unscrew backnuts and remove taps.

FITTING YOUR NEW MIXER

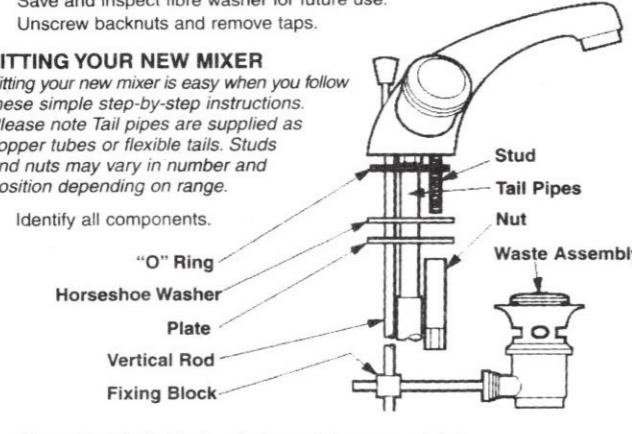
Fitting your new mixer is easy when you follow these simple step-by-step instructions. Please note Tail pipes are supplied as copper tubes or flexible tails. Studs and nuts may vary in number and position depending on range.

- Identify all components.
- Prior to installation flush out pipework to remove debris.
- Assemble unit with pop up rod (where applicable), fit rubber "O" ring to base of mixer and place the fittings through hole in the basin.
- Screw stud into base of mixer and slide horseshoe washer and plate over it. Secure with supplied nut. Do not overtighten as it could damage the basin.
- On models with pop up wastes, fit waste assembly using a sealant under the pop up flange.
- Attach pop up rod from the waste to the vertical rod by using the fixing block.
- Connect the two tail pipes to the hot and cold water supplies.

This product should be fitted in accordance with Water ByLaw Regulations Check valves should be fitted where necessary.

AFTERCARE INSTRUCTIONS

Whilst modern plating techniques are used in the manufacture of this item, the surfaces will wear if cleaned incorrectly. Clean this product with a soft cloth and clean water. The use of any abrasive material will invalidate the guarantee.



Mono Basin/Bidet Mixer Installation and Maintenance Instructions

c/w Threaded tail section

REMOVING OLD TAPS OR MIXER

- A spanner may be required. This can be purchased in store.
- Ensure mains water supply is turned off at the stopcock or service valves.
- After disconnecting the water supply, drain the pipework.
- Unscrew the nuts connecting the water pipes to the fittings.
- Save and inspect fibre washer for future use.
- Unscrew backnuts and remove taps.

FITTING YOUR NEW MIXER

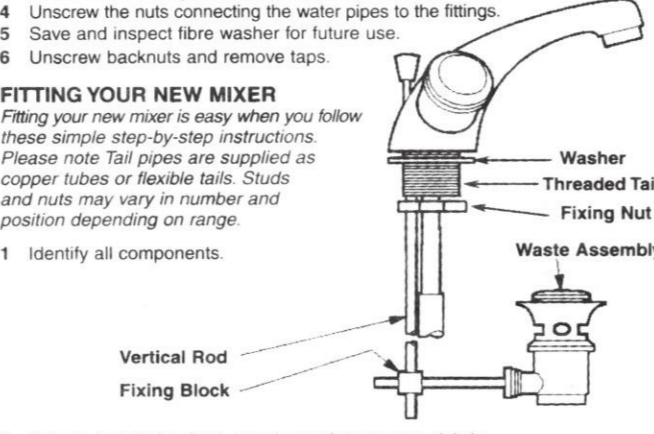
Fitting your new mixer is easy when you follow these simple step-by-step instructions. Please note Tail pipes are supplied as copper tubes or flexible tails. Studs and nuts may vary in number and position depending on range.

- Identify all components.
- Prior to installation flush out pipework to remove debris.
- Assemble unit with pop up rod (where applicable), fit rubber "O" ring to base of mixer and place the fittings through hole in the basin.
- Secure with supplied nut. Do not overtighten as it could damage the basin.
- On models with pop up wastes, fit waste assembly using a sealant under the pop up flange.
- Attach pop up rod from the waste to the vertical rod by using the fixing block.
- Connect the two tail pipes to the hot and cold water supplies.

This product should be fitted in accordance with Water ByLaw Regulations Check valves should be fitted where necessary.

AFTERCARE INSTRUCTIONS

Whilst modern plating techniques are used in the manufacture of this item, the surfaces will wear if cleaned incorrectly. Clean this product with a soft cloth and clean water. The use of any abrasive material will invalidate the guarantee.



Deck Bath Shower Mixers & Deck Bath Filler Installation and Maintenance Instructions

REMOVING OLD TAPS OR MIXER

- A "Tap Spanner" may be required. This can be purchased in store.
- Ensure mains water supply is turned off at the stopcock or service valves.
- After disconnecting the water supply, drain the pipework.
- Unscrew the nuts connecting the water pipes to the fittings.
- Be careful to save and inspect the fibre washer between the base of the tap tails and the water pipe.

FITTING YOUR NEW MIXER

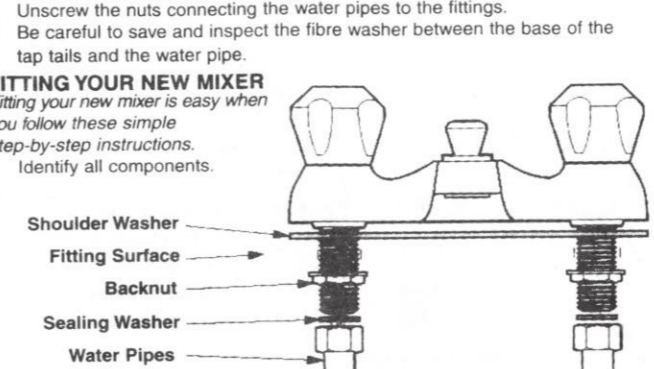
Fitting your new mixer is easy when you follow these simple step-by-step instructions.

- Identify all components.
- Before installation fully flush out the pipework to prevent any grit lodging on the valve seat inside the top body, as grit will quickly wear the washer.
- Ensure that the shoulder washer is placed between base of mixer and the fitting surface. Wickes Silicone Sealant may also be used to further seal these items, then carefully position your mixer in place.
- Screw up the backnut, ensuring that the tap or mixer is in the correct position, taking care not to overtighten this nut as it could damage the bath.
- Reconnect the supply pipes, checking that the sealing washers are in good condition. If not the fibre washers should be replaced.
- Turn on the taps and water supply at the stopcock or service valves.
- Your taps are now fitted and ready for use.

This product should be fitted in accordance with Water ByLaw Regulations Check valves should be fitted where necessary.

AFTERCARE INSTRUCTIONS

Whilst modern plating techniques are used in the manufacture of this item, the surfaces will wear if cleaned incorrectly. Clean this product with a soft cloth and clean water. The use of any abrasive material will invalidate the guarantee.



3 Hole Mixers Installation and Maintenance Instructions

FITTING YOUR NEW MIXER

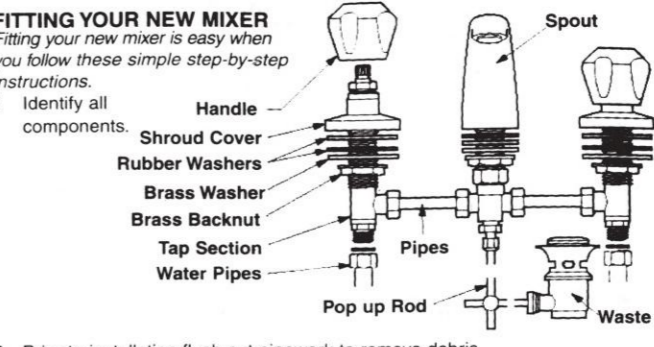
Fitting your new mixer is easy when you follow these simple step-by-step instructions.

- Identify all components.
- Prior to installation flush out pipework to remove debris.
- Remove handle and shroud cover.
- Check brass backnut, brass washer then rubber washer is fitted to threaded tail.
- Push tap section through basin hole from underneath and fit second rubber washer to section of tap protruding through basin.
- Re-fit shroud cover and handle, leave tap section loose at this time.
- Repeat this procedure for other tap section.
- Remove spout from spout section. Ensure brass backnut is fitted to threaded tail. Push on brass washer then rubber washer.
- Push Spout section through basin hole from underneath and fit second rubber washer to section of spout protruding through basin.
- Reconnect spout to spout section and tighten.
- Connect pipework between tap section and spout section ensuring sealing washers or olives are fitted correctly.
- When you are happy with assembly tighten backnuts on taps and spout sections, ensuring to hold tap or spout in the required position.
- Connect water supply pipes.
- Insert pop up rod.
- Fit waste flange into basin using washer provided, sealant may also be used.
- Connect waste base to underside of waste also using washer provided.
- Connect pop up rods by using connector.

This product should be fitted in accordance with Water ByLaw Regulations Check valves should be fitted where necessary.

AFTERCARE INSTRUCTIONS

Whilst modern plating techniques are used in the manufacture of this item, the surfaces will wear if cleaned incorrectly. Clean this product with a soft cloth and clean water. The use of any abrasive material will invalidate the guarantee.



Mono Basin/Bidet Mixer Installation and Maintenance Instructions

REMOVING OLD TAPS OR MIXER (PREL113/PREL114)

- A spanner may be required. This can be purchased in store.
- Ensure mains water supply is turned off at the stopcock or service valves.
- After disconnecting the water supply, drain the pipework.
- Unscrew the nuts connecting the water pipes to the fittings.
- Save and inspect fibre washer for future use.
- Unscrew backnuts and remove taps.

FITTING YOUR NEW MIXER

Fitting your new mixer is easy when you follow these simple step-by-step instructions. Please note Tail pipes are supplied as copper tubes or flexible tails. Studs and nuts may vary in number and position depending on range.

- Identify all components.
- Prior to installation flush out pipework to remove debris.
- Assemble unit with pop up rod (where applicable), fit rubber "O" ring to base of mixer and place the fittings through hole in the basin.
- Screw stud into base of mixer and slide horseshoe washer and plate over it. Secure with supplied nut. Do not overtighten as it could damage the basin.
- On models with pop up wastes, fit waste assembly using a sealant under the pop up flange.
- Attach pop up rod from the waste to the vertical rod by using the fixing block.
- Connect the two tail pipes to the hot and cold water supplies.

This product should be fitted in accordance with Water ByLaw Regulations Check valves should be fitted where necessary.

AFTERCARE INSTRUCTIONS

Whilst modern plating techniques are used in the manufacture of this item, the surfaces will wear if cleaned incorrectly. Clean this product with a soft cloth and clean water. The use of any abrasive material will invalidate the guarantee.

